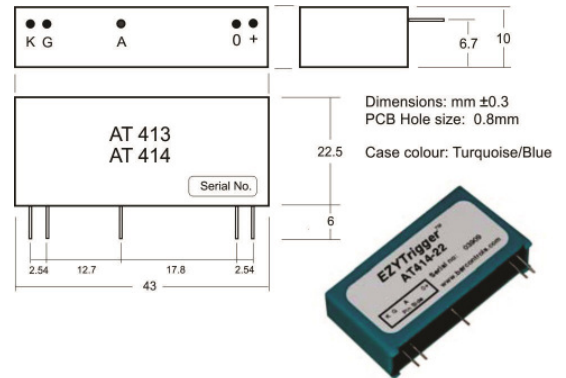
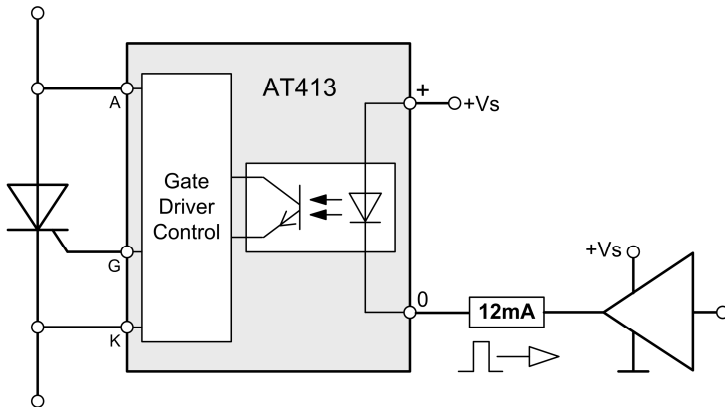


AT 413

Line voltage 100 – 690V_{rms}

Applications:

- Single thyristor logic control applications



Absolute Maximum Ratings

EZYTrigger Type

Parameter	Symbol	AT413 – 22
Peak voltage – positive and negative	V _p	2200 V
Nominal mains voltage	V _m	690 V
Continuous DC voltage	V ₌	690 V
Turn-on delay for gate current >1A	t _{gd}	5 μs
Input-Output isolation	V _i	6000Vrms 50Hz 1min VDE0884
Input-Output transient immunity	(dv/dt) _c	5000 V/μs
Device transient immunity	(dv/dt) _d	2000 V/μs
Ambient temperature range	T _a	-20°C to +85°C

Technical Data at 25°C

200mA gate current threshold	V _{gtl}	16 V
1.8A gate current threshold	V _{gth}	36 V
Gate current rise time ⇒ anode voltage	⇒ 100V (di/dt) _g	1.2 A/μs
	⇒ 200V (di/dt) _g	2 A/μs
	⇒ 400V (di/dt) _g	2.5 A/μs
	⇒ 800V (di/dt) _g	3 A/μs
	⇒ 1200V (di/dt) _g	4 A/μs
Peak gate current	I _p	1.8 A
Anode-cathoden current at peak voltage V _p	I _n	5.1 mA
Maximum off-state gate current	I _o	2 μA
Minimum control current	I _{cm}	7 mA
Recommended control current	I _c	12 mA
Control input voltage drop at 12mA gate current	V _{in}	Typ 1.2 < 1.5V
Maximum reverse control input voltage	V _{inr}	6 V
Turn-on delay time at I _{control} = 12mA	t _{di}	25 μs

All components and parts used in these units have been certified by their manufacturers as RoHS Compliant.

Epoxy filler is RoHS Compliant (2011/65/EU) and UL Approval meets UL94 V-0.

The Optocoupler is approved for UL1577 File No. E52744 System Code H or J, Double Protection and DIN EN 60747-5-2 (VDE0884), RoHS 2002/96/EC and WEEE (2002/96/EC).

No warranty is given for the accuracy of information stated by the respective manufacturers.